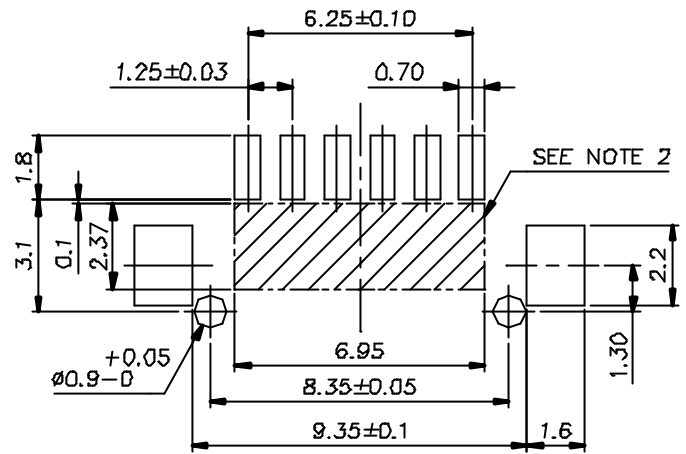
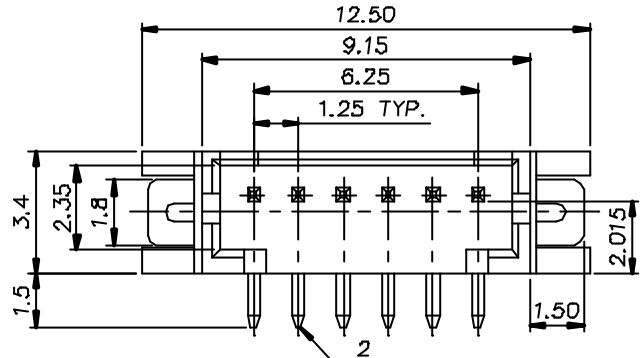
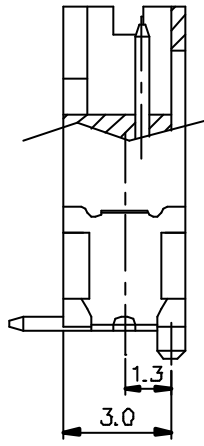
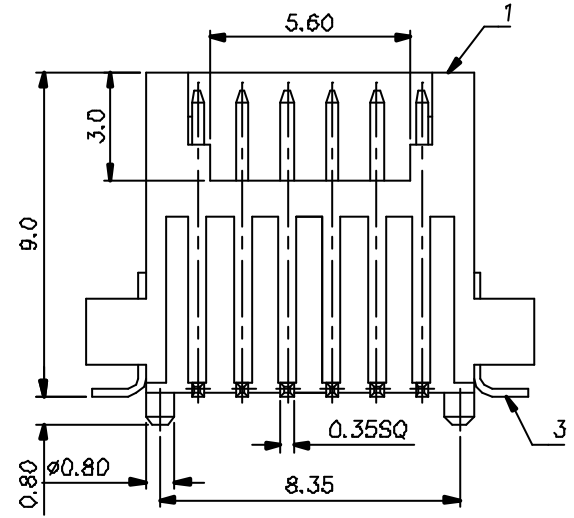


REV	DESCRIPTION	DATE	DRAWN	APPROVED
E	ECN020916	91.09.20	TINA	KEVIN
F	ECN021110	91.11.11	JAY	KEVIN



PCB LAYOUT FOR SURFACE MOUNTING



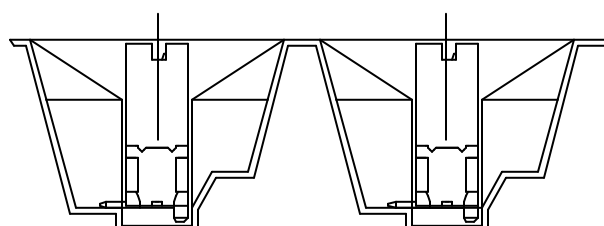
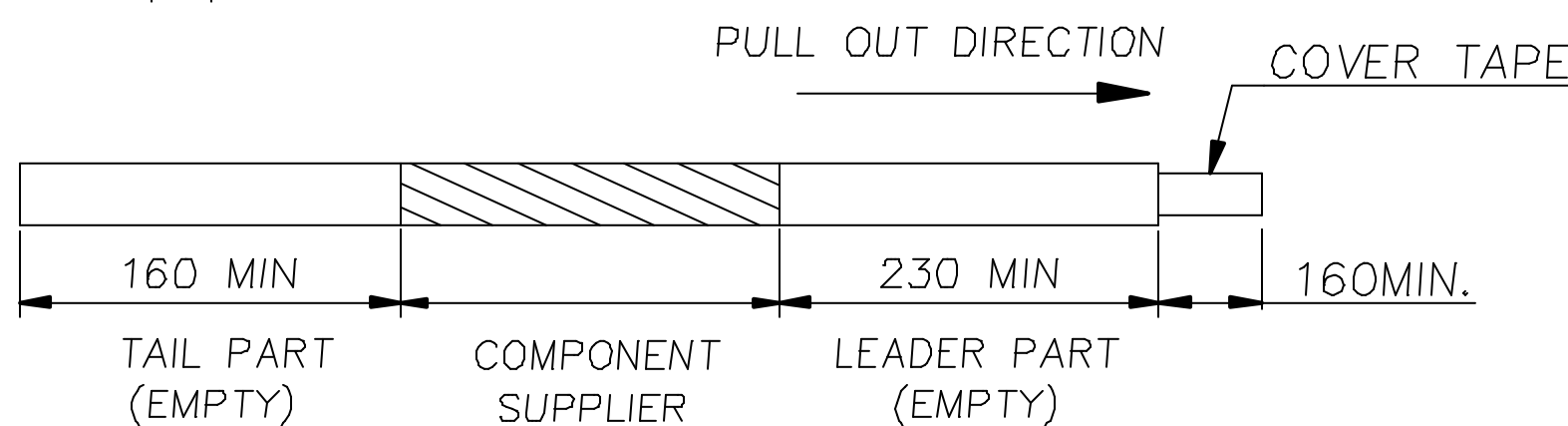
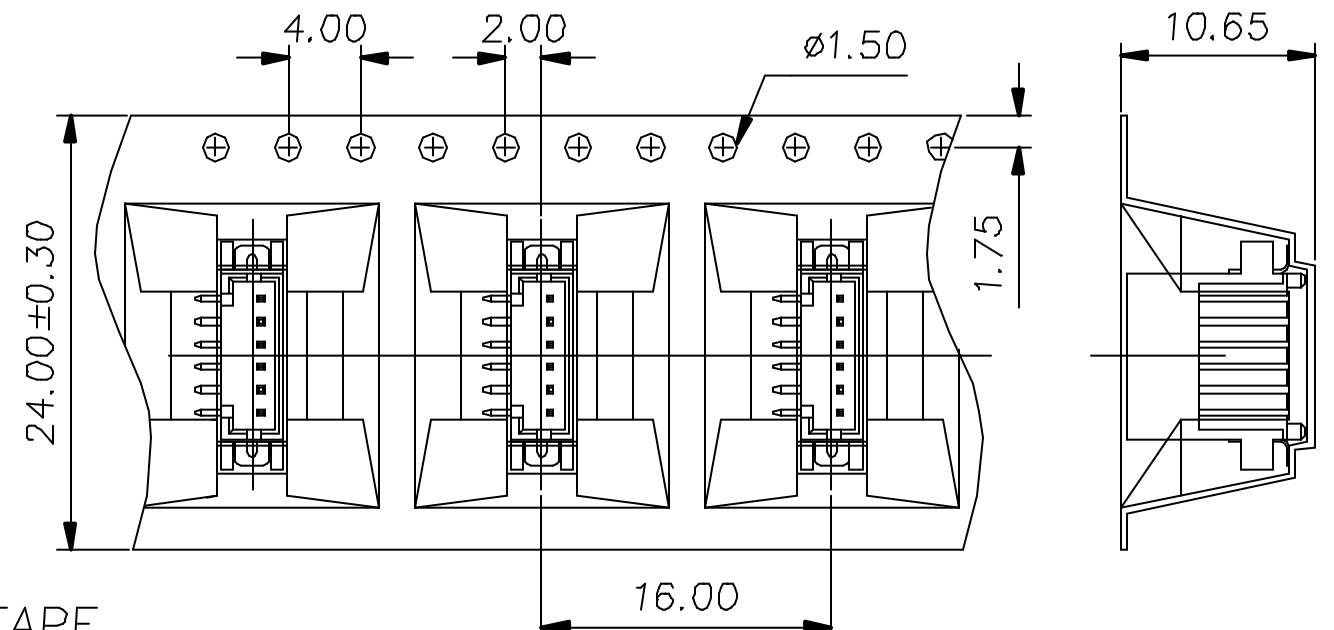
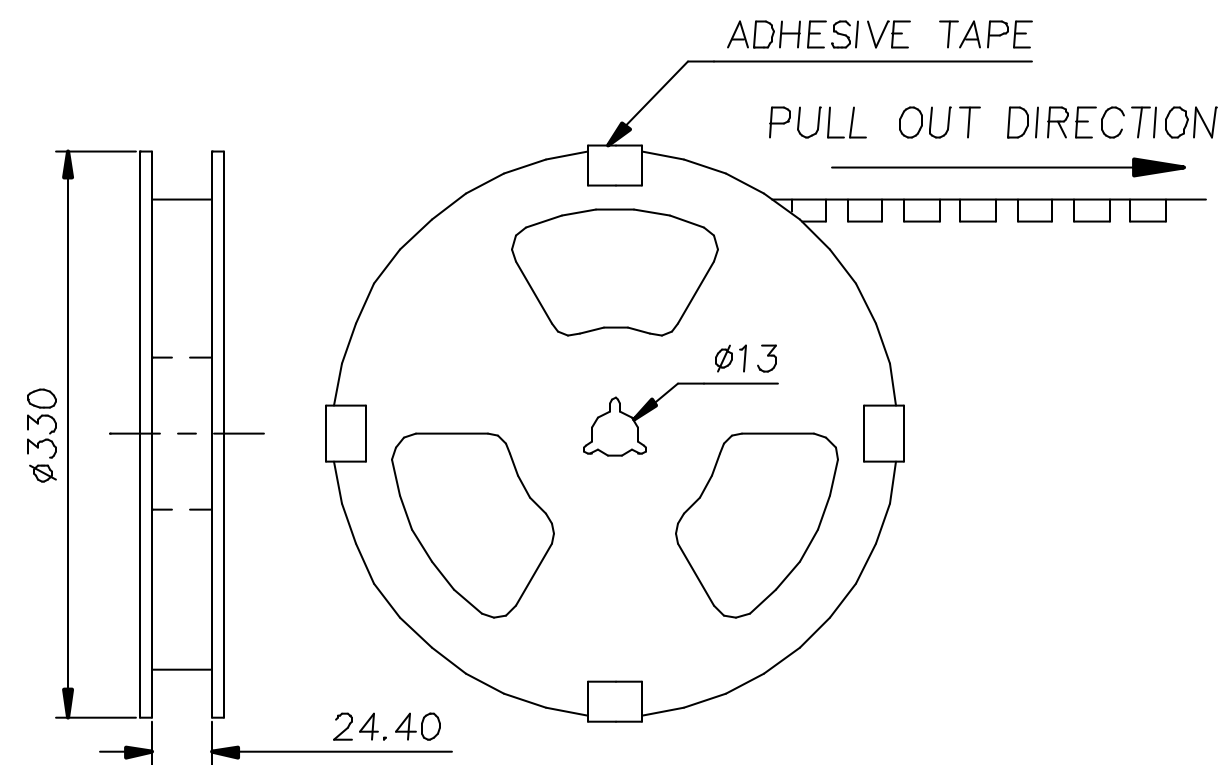
- NOTE:
- 1.GUIDE POST IS OPTIONAL.
  - 2.AVOID THE PIN TO CONTACT PCB CIRCUITS.
  - 3.ORDER INFORMATION:WH5-030-06X1

PACKING  
 2=TUBE(49PCS/TUBE)  
 3=TAPE & REEL  
 (SEE 2 OF 2)

NO.	NAME	MATERIAL	FINISH REMARKS
3	TAB	PHOSPHOR BRONZE	TIN/LEAD
2	PIN	BRASS	GOLD FLASH
1	HOUSING	PLASITC	UL94V-0

<b>FCN</b>		TOLERANCES : DECIMALS: x ± 0.38 ANGULAR: x ± 5° .XX ± 0.20 X ± 3° .XXX ± .XXX ±			UNLESS OTHERWISE SPECIFIED, DIMENSIONS ARE IN MILLIMETER DO NOT SCALE DRAWING.
		NAME WTB MALE HEADER P=1.25mm SMT STRAIGHT TYPE			
DRAWN	DATE	FILE NO.	DWG NO. WH5-311	REV F	
CHECKED					
APVD		CAD NO. DWG C\WH5-311			SHEET 1 OF 2

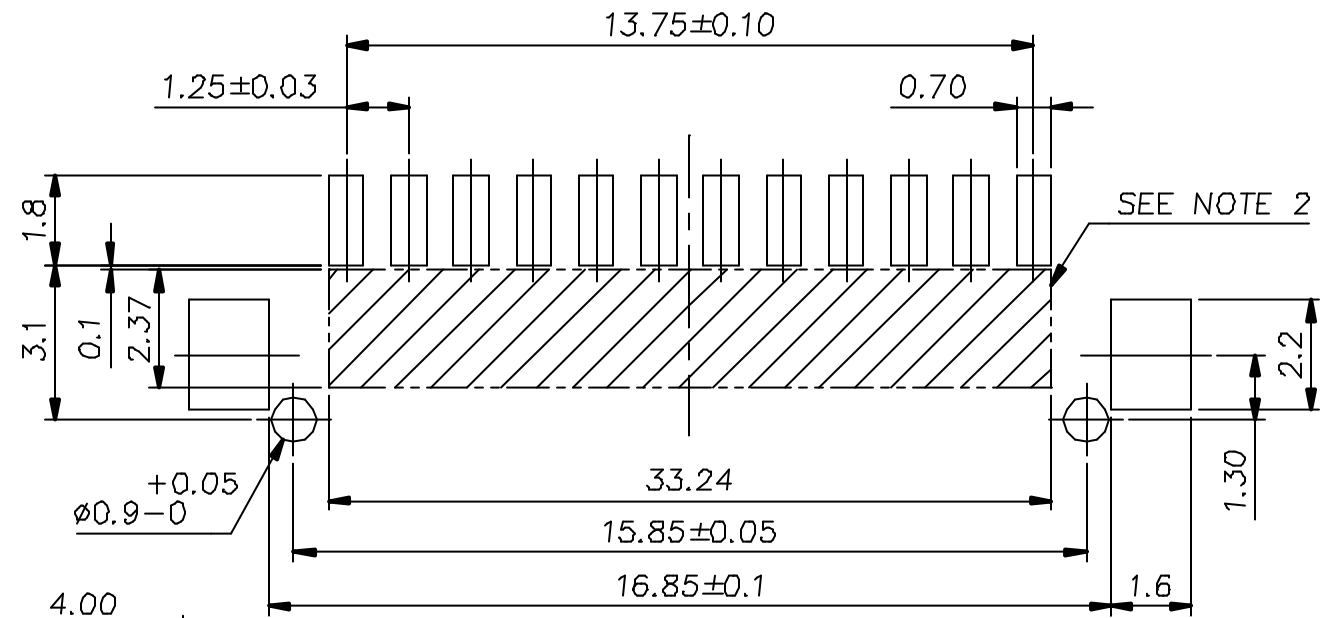
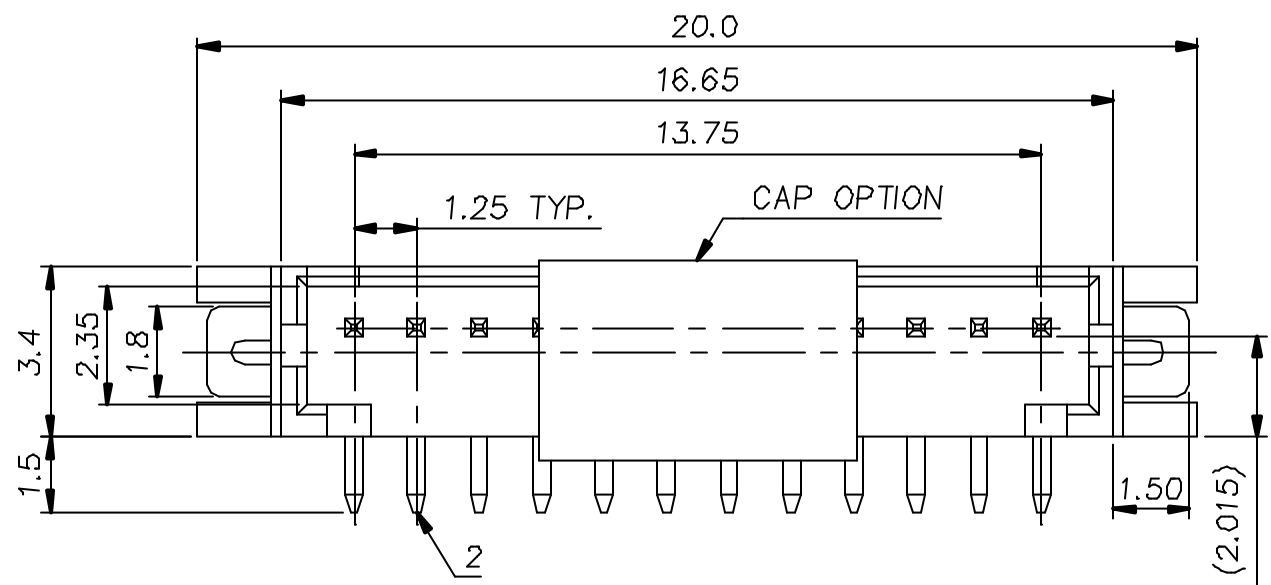
REV	DESCRIPTION	DATE	DRAWN	APPROVED
G	ECN020916	91.09.20	TINA	KEVIN



NOTE:  
1. PACKAGING: 400PCS/REEL  
2. P/N: WH5-030-0631

<b>FCN</b>		TOLERANCES :		UNLESS OTHERWISE SPECIFIED; DIMENSIONS ARE IN MILLIMETER. DO NOT SCALE DRAWING.
		DECIMALS.X	$\pm 0.38$	
DRAWN		DATE	NAME	REV
CHECKED		FILE NO.	DWG NO.	G
APVD		CAD NO.	WH5-311	
DWG NO. WH5-3112		SHEET 2 OF 2		

REV	DESCRIPTION	DATE	DRAWN	APPROVED
E	ECN020916	91.09.20	TINA	KEVIN



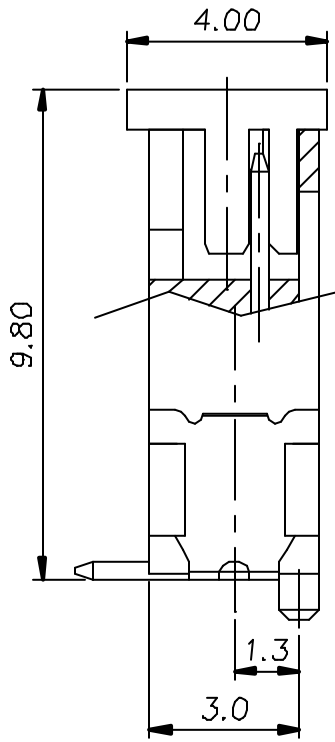
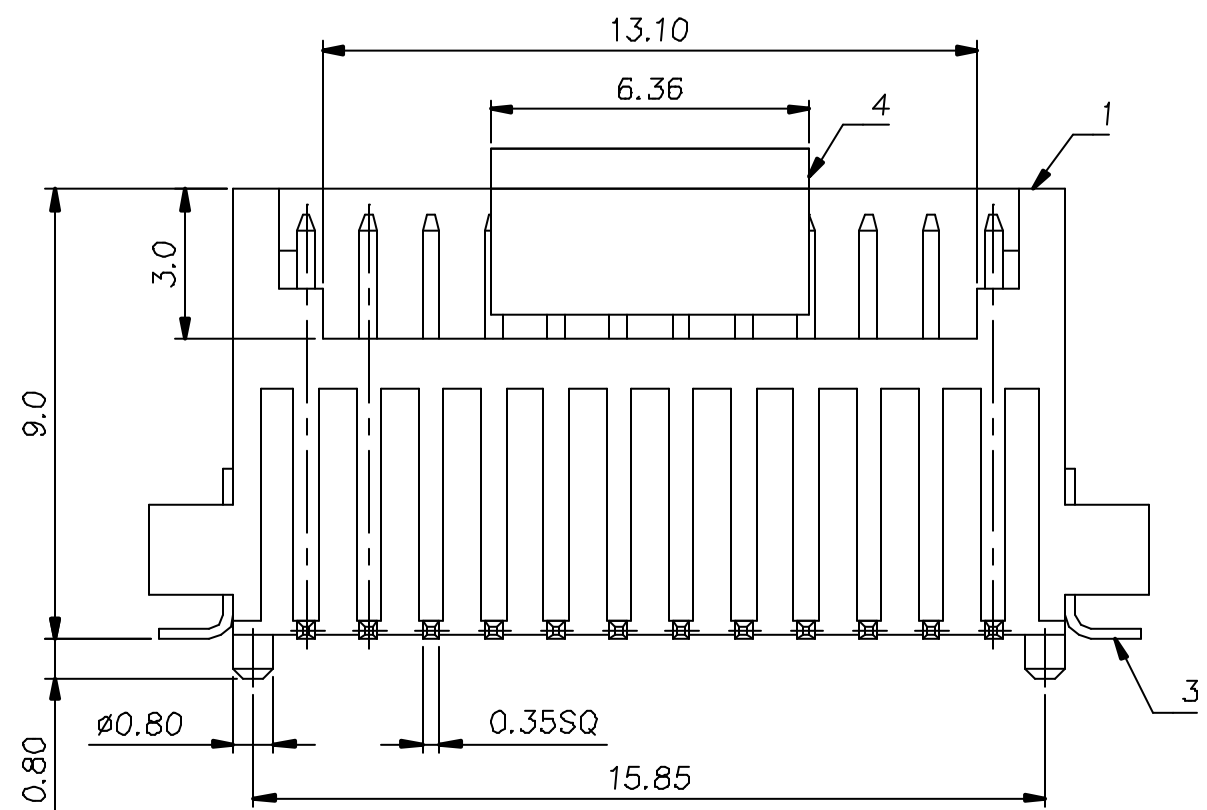
PCB LAYOUT FOR SURFACE MOUNTING

NOTE:  
 1. GUIDE POST IS OPTIONAL.  
 2. AVOID THE PIN TO CONTACT PCB CIRCUITS.  
 3. ORDER INFORMATION: WH5-X3X-12X1

CAP OPTION  
 0=W/O CAP  
 1=WITH CAP

PACKING  
 2=TUBE (30PCS/TUBE)  
 3=TAPE & REEL  
 (SEE 2 OF 2)

MATERIAL  
 0=NYLON 6T  
 1=NYLON 9T



4	CAP	PLASITC	UL94V-0
3	TAB	PHOSPHOR BRONZE	TIN/LEAD
2	PIN	BRASS	GOLD FLASH
1	HOUSING	PLASITC	UL94V-0
NO.	NAME	MATERIAL	FINISH REMARKS

**FCN**

TOLERANCES :  
 DECIMALS.X ± 0.38 ANGULAR X ± 5°  
 .XX ± 0.25 X ± 3°  
 .XXX ± .XX±

UNLESS OTHERWISE SPECIFIED;  
 DIMENSIONS ARE IN MILLIMETER.  
 DO NOT SCALE DRAWING.

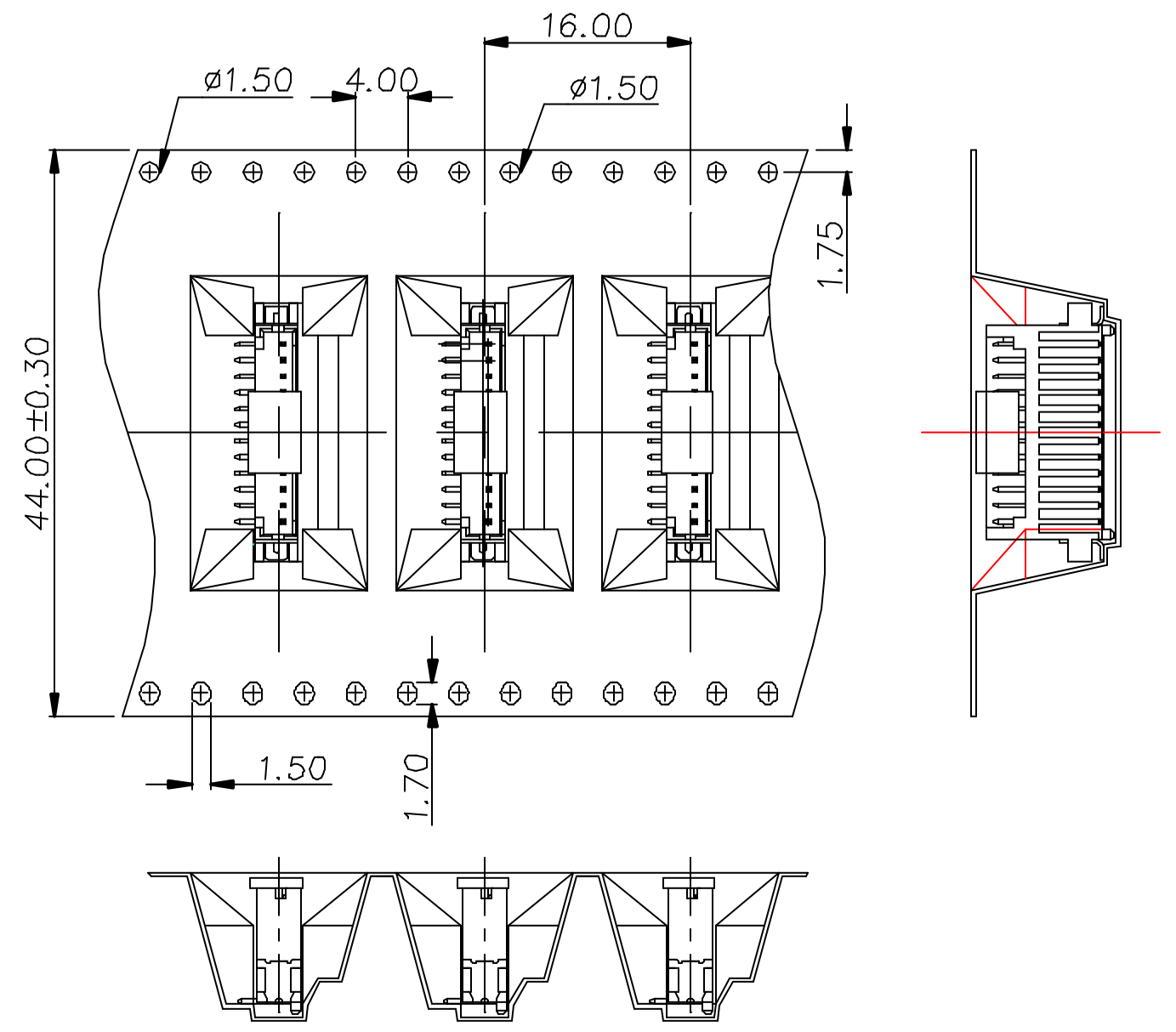
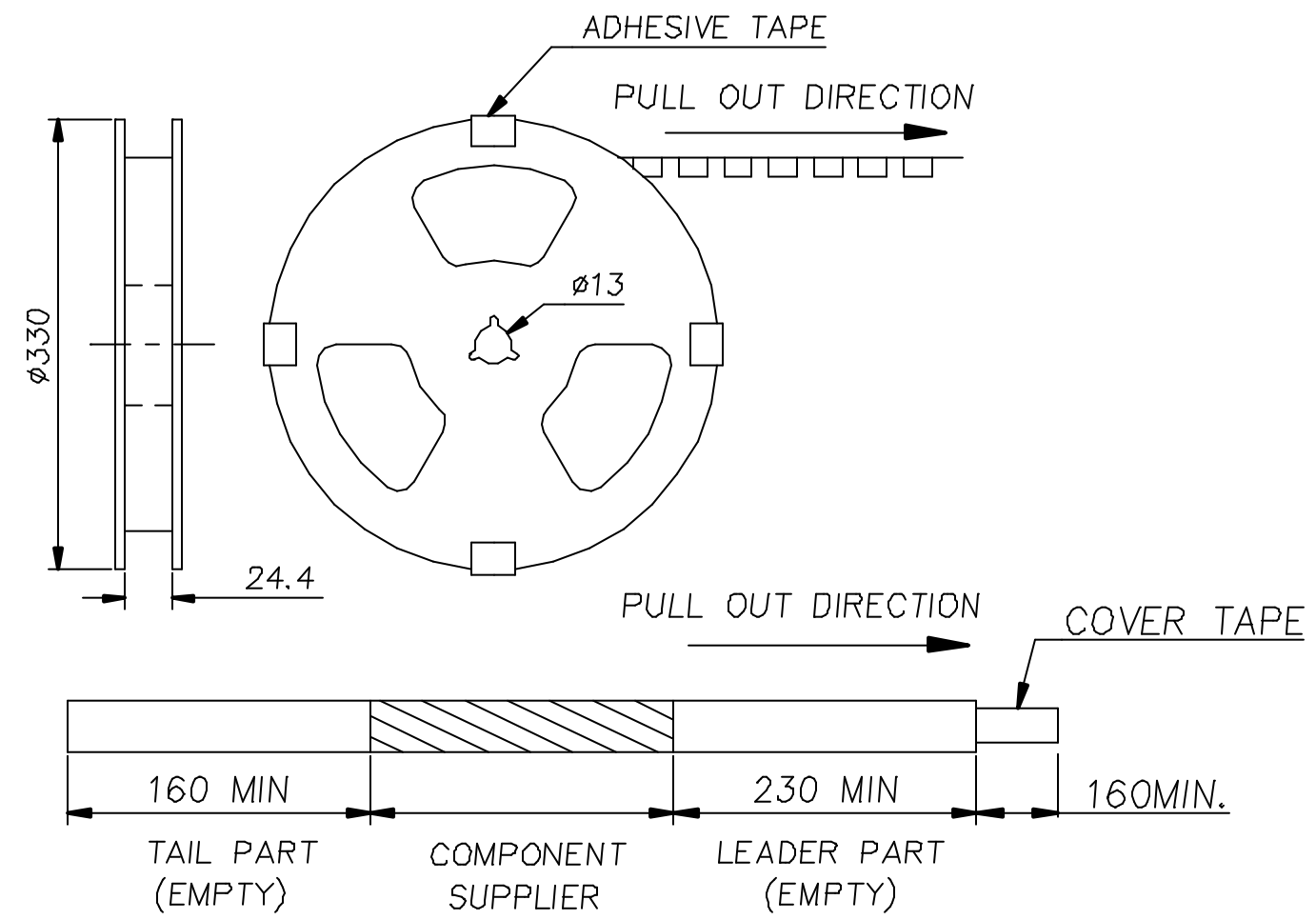
NAME  
 WTB MALE HEADER P=1.25mm  
 SMT STRAIGHT TYPE

DRAWN \_\_\_\_\_ DATE \_\_\_\_\_

CHECKED \_\_\_\_\_ FILE NO. \_\_\_\_\_ DWG NO. WH5-312 REV E

APVD \_\_\_\_\_ CAD NO. DWG\C\WH5-3121 SHEET 1 OF 2

REV	DESCRIPTION	DATE	DRAWN	APPROVED
D	ECN020916	91.09.20	TINA	KEVIN

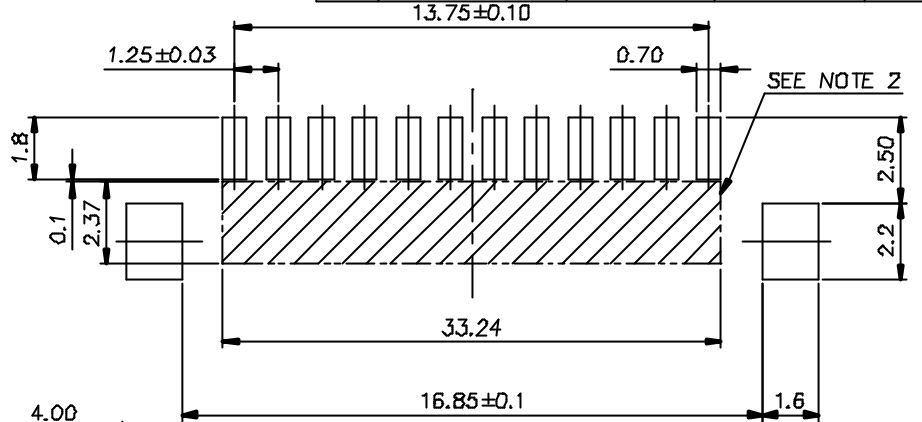
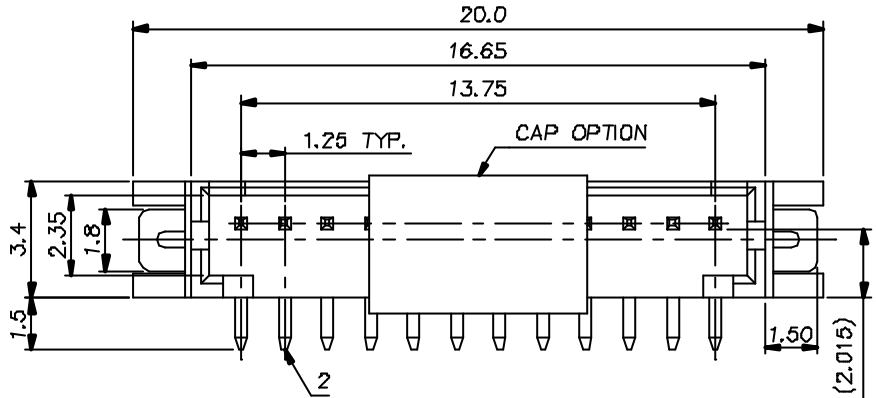


NOTE:  
1.PACKING 350PCS/REEL  
2.PART NO.: WH5-X3X-1231

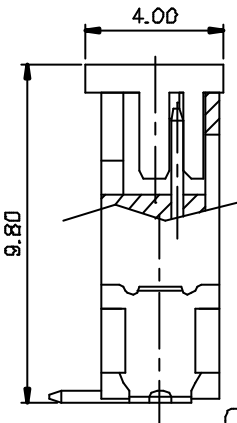
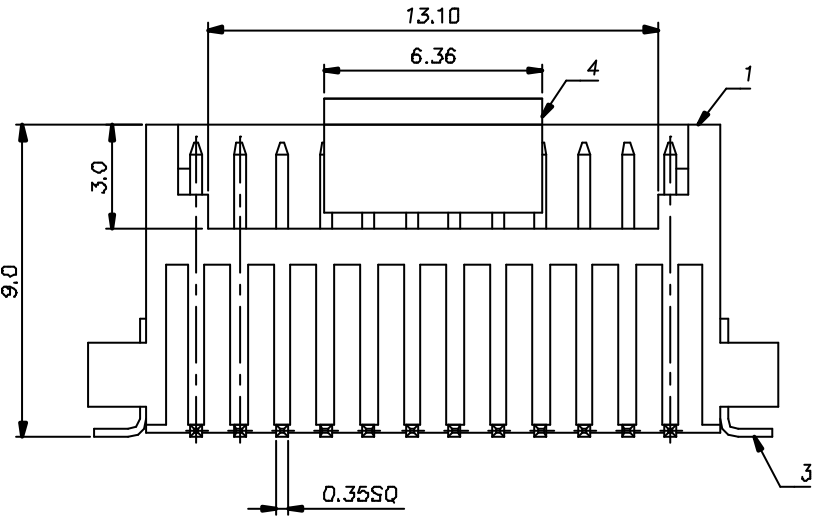
CAP OPTION MATERIAL  
0=W/O CAP 0=NYLON 6T  
1=WITH CAP 1=NYLON 9T

<b>FCN</b>		TOLERANCES : DECIMALS.X ± 0.38 ANGULAR X ± 5° .XX ± 0.25 X ± 3° .XXX ± .XX ±			UNLESS OTHERWISE SPECIFIED; DIMENSIONS ARE IN MILLIMETER. DO NOT SCALE DRAWING.
		NAME WTB MALE HEADER P=1.25mm SMT STRAIGHT TYPE			
DRAWN	DATE	FILE NO.	DWG NO. WH5-312	REV D	
CHECKED		CAD NO. DWG\C\WH5-3122	SHEET 2 OF 2		

REV	DESCRIPTION	DATE	DRAWN	APPROVED



PCB LAYOUT FOR SURFACE MOUNTING



NOTE:  
 1.GUIDE POST IS OPTIONAL.  
 2.AVOID THE PIN TO CONTACT PCB CIRCUITS.  
 3.ORDER INFORMATION:WH5-X3X-12X1

CAP OPTION  
 2=W/O CAP & W/O POST  
 3=WITH CAP & W/O POST

PACKING  
 2=TUBE(30PCS/TUBE)  
 3=TAPE & REEL

MATERIAL  
 0=NYLON 6T (SEE 2 OF 2)  
 1=NYLON 9T

NO.	NAME	MATERIAL	FINISH REMARKS
4	CAP	PLASITC	UL94V-0
3	TAB	PHOSPHOR BRONZE	TIN/LEAD
2	PIN	BRASS	GOLD FLASH
1	HOUSING	PLASITC	UL94V-0

**FCN**

TOLERANCES :  
 DECIMALS: x ± 0.38 ANGULAR: x ± 5°  
 .XX ± 0.25 X ± 3°  
 .XXX ± .XXX

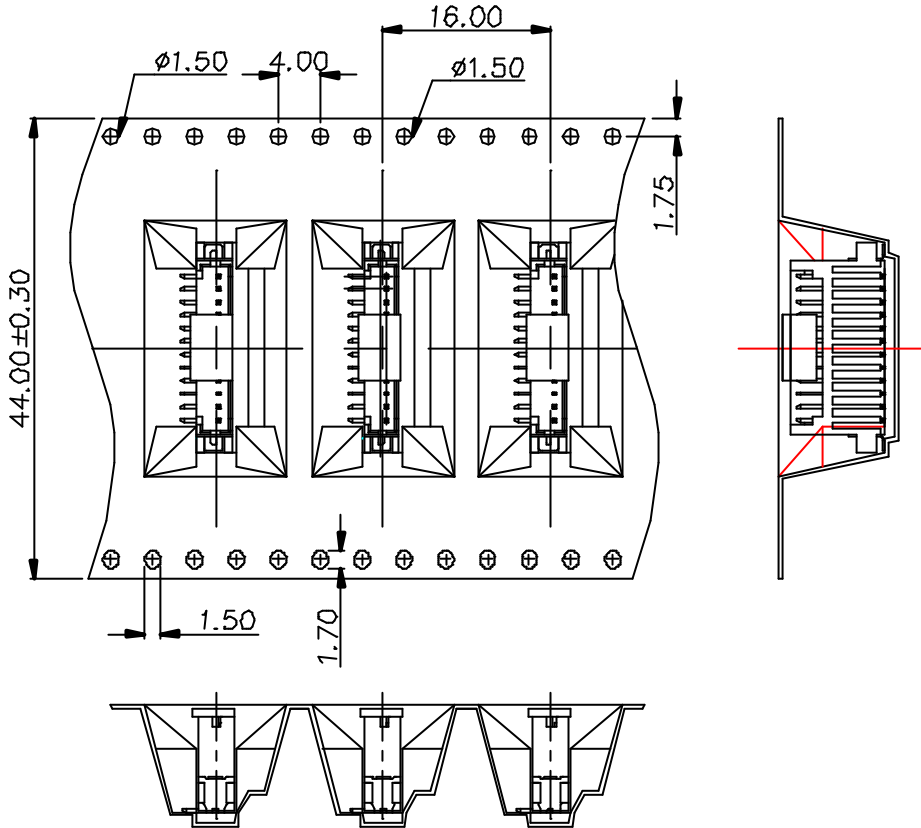
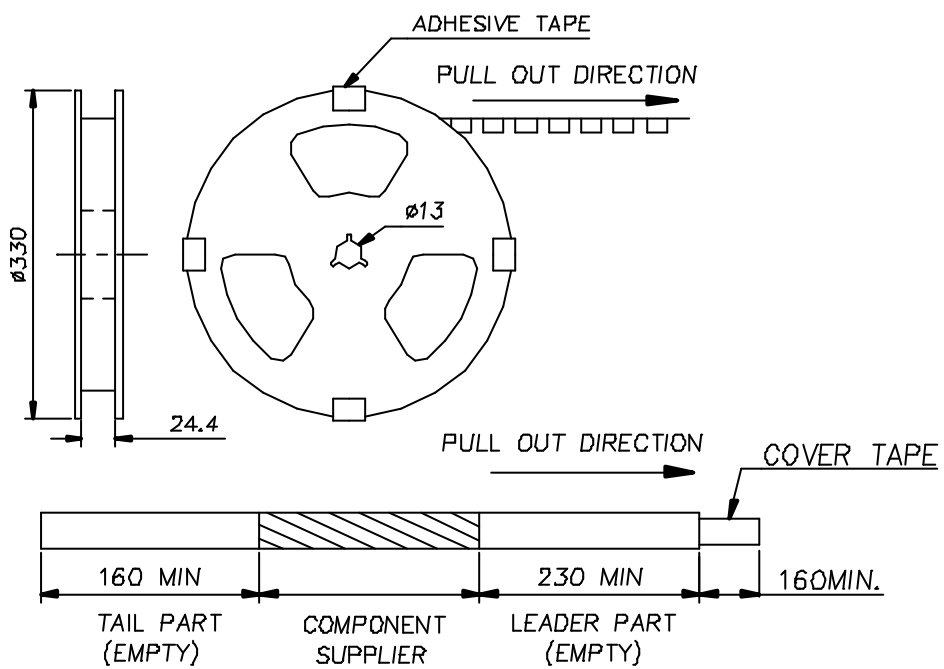
UNLESS OTHERWISE SPECIFIED, DIMENSIONS ARE IN MILLIMETER. DO NOT SCALE DRAWING.

NAME: WTB MALE HEADER P=1.25mm SMT STRAIGHT TYPE

DRAWN: DATE: FILE NO.: DWG NO. WH5-313 REV A

CHECKED: APVD: CAD NO. DWG C\WH5-313 SHEET 1 OF 2

REV	DESCRIPTION	DATE	DRAWN	APPROVED



NOTE:  
 1. PACKING 350PCS/REEL  
 2. PART NO.: WH5-X3X-1231

CAP OPTION	MATERIAL
2=W/O CAP & W/O POST	0=NYLON 6T
3=WITH CAP & W/O POST	1=NYLON 9T

<b>FCN</b>		TOLERANCES :		UNLESS OTHERWISE SPECIFIED, DIMENSIONS ARE IN MILLIMETER, DO NOT SCALE DRAWING.
		DECIMALS: x ± 0.38	ANGULAR: x ± 5°	
DRAWN		NAME		REV
DATE		WTB MALE HEADER P=1.25mm SMT STRAIGHT TYPE		
CHECKED		FILE NO.	DWG NO. WH5-313	A
APVD		CAP NO. DWG C\WH5-313Z	SHEET 2 OF 2	